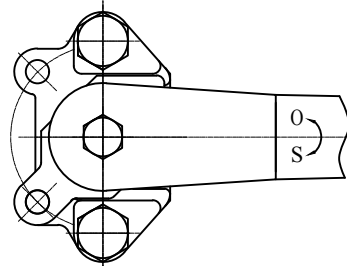
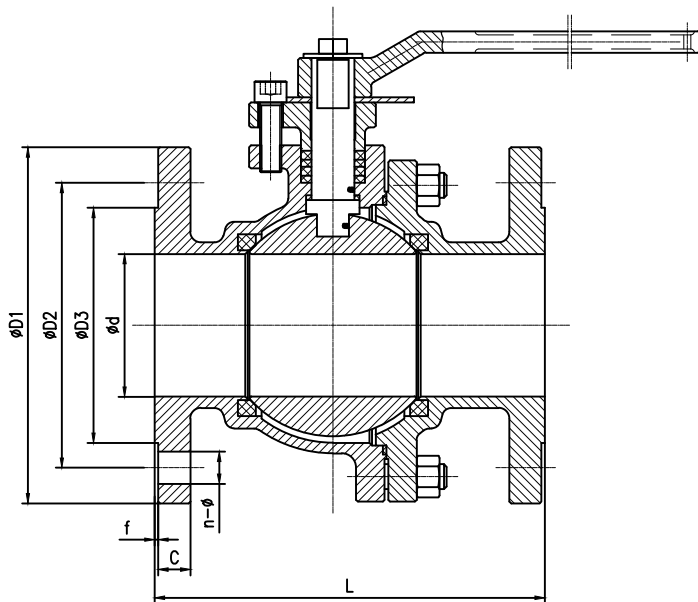


150LB RF



Locking devices



NPS	L	d	D1	D2	D3	C	f	n-Ø
1/2"	108	15	90	60.3	34.9	8.0	2	4-16
3/4"	117	20	100	69.9	43	8.9	2	4-16
1"	127	25	110	79.4	50.8	9.6	2	4-16
1-1/4"	140	32	115	88.9	63.5	11.2	2	4-16
1-1/2"	165	38	125	98.4	73	12.7	2	4-16
2"	178	49	150	120.7	92.1	14.3	2	4-19
2-1/2"	190	65	180	139.7	104.8	15.9	2	4-19
3"	203	76	190	152.4	127	17.5	2	4-19
4"	229	100	230	190.5	157.2	22.3	2	8-19

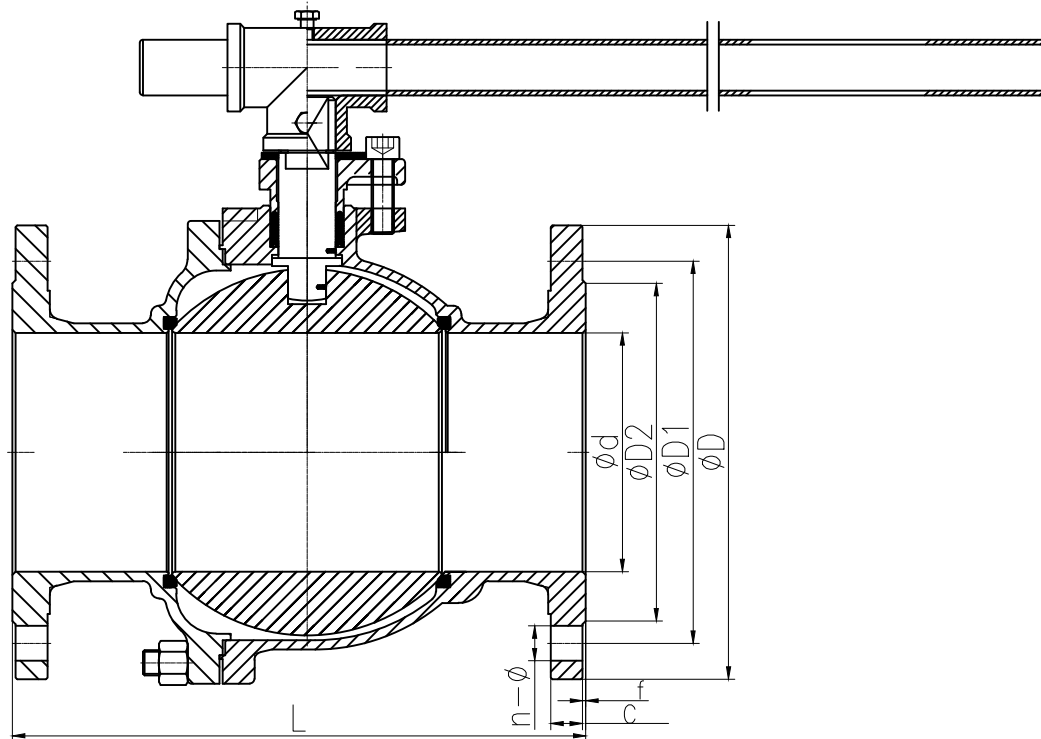
Main Performance:	
Nominal Pressure	150LB
Strength test pressure	3.0
Seal test pressure	2.2
Air seal pressure	0.6
Temperature	-29~120°C
Medium	Water.air.steam.gas

Technical Specifaion
1、 Design & manufacture according to API 608;
2、 Flange size dimension according to ASME B16.5;
3、 Structure length size dimension according to ASME B16.10;
4、 Fire safety according to API 607;
5、 Inspection & test according to API 598;

2PC Floating Ball Valve		J-VALVES Construction
Page 1		
		150LB RF

150LB RF

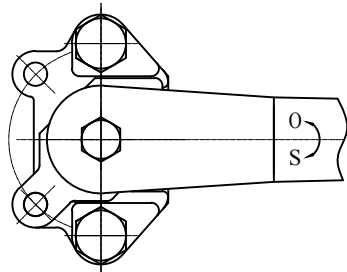
NPS	L	d	D1	D2	D3	C	f	n-Ø
5"	356	125	255	215.9	185.7	22.3	2	8-22
6"	394	150	280	241.3	215.9	23.9	2	8-22
8"	457	201	345	298.5	269.9	27	2	8-22



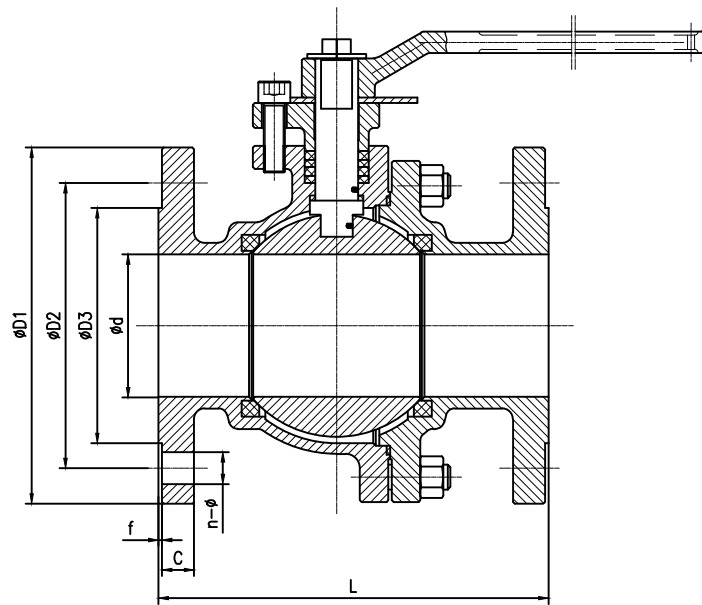
Main Performance:	
Nominal Pressure	150LB
Strength test pressure	3.0
Seal test pressure	2.2
Air seal pressure	0.6
Temperature	-29~120°C
Medium	Water.air.steam.gas

Technical Specifaion	
1、 Design & manufacture according to API 608;	
2、 Flange size dimension according to ASME B16.5;	
3、 Structure length size dimension according to ASME B16.10;	
4、 Fire safety according to API 607;	
5、 Inspection & test according to API 598;	

2PC Floating Ball Valve		J-VALVES Construction
Page 1		
		150LB RF



Locking devices



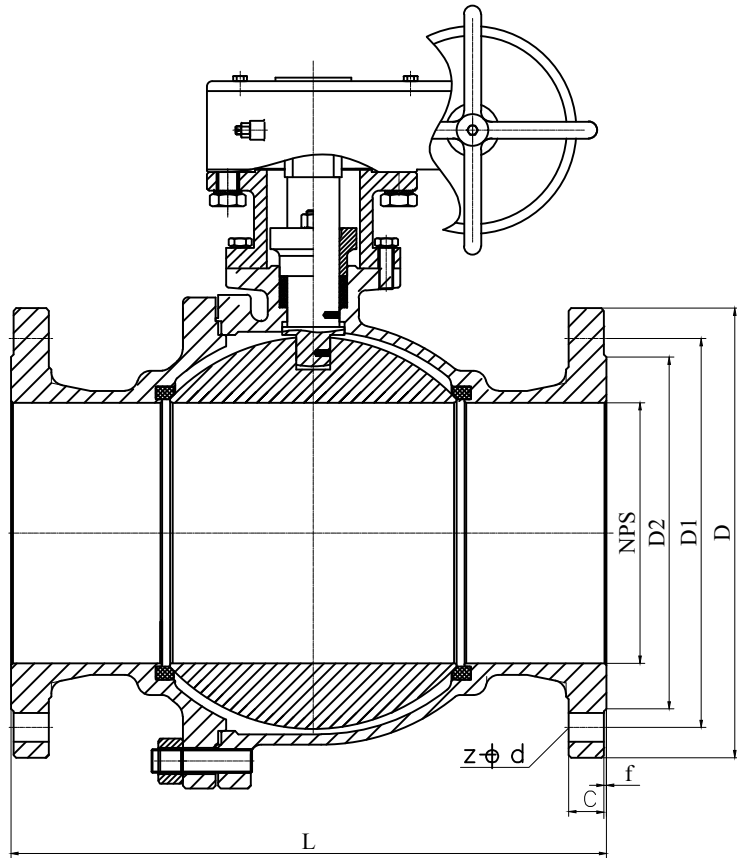
NPS	L	d	D1	D2	D3	C	f	n-Ø
1/2"	140	15	95	66.7	34.9	12.7	2	4-16
3/4"	152	20	115	82.6	43	14.3	2	4-19
1"	165	25	125	88.9	50.8	15.9	2	4-19
1-1/4"	178	32	135	98.4	63.5	17.5	2	4-19
1-1/2"	190	38	155	114.3	73	19.1	2	4-22
2"	216	49	165	127	92.1	20.7	2	8-19
2-1/2"	241	65	190	149.2	104.8	23.9	2	8-22
3"	282	76	210	168.3	127	27	2	8-22
4"	305	100	255	200	157.2	30.2	2	8-22

Main Performance:	
Nominal Pressure	300LB
Strength test pressure	7.7
Seal test pressure	5.6
Air seal pressure	0.6
Temperature	-29~120°C
Medium	Water.air.steam.gas

Technical Specifaion
1、 Design & manufacture according to API 608;
2、 Flange size dimension according to ASME B16.5;
3、 Structure length size dimension according to ASME B16.10;
4、 Fire safety according to API 607;
5、 Inspection & test according to API 598;

		2PC Floating Ball Valve		J-VALVES	
				Construction	
				300LB RF	
		Page 1			

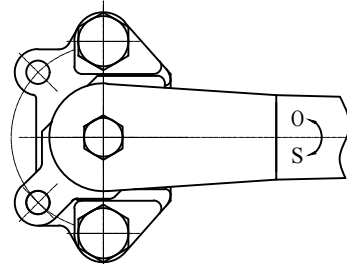
NPS	L	d	D1	D2	D3	C	f	n-Ø
6"	403	150	320	269.9	215.9	35	2	12-22
8"	502	201	380	330.2	269.9	39.7	2	12-26



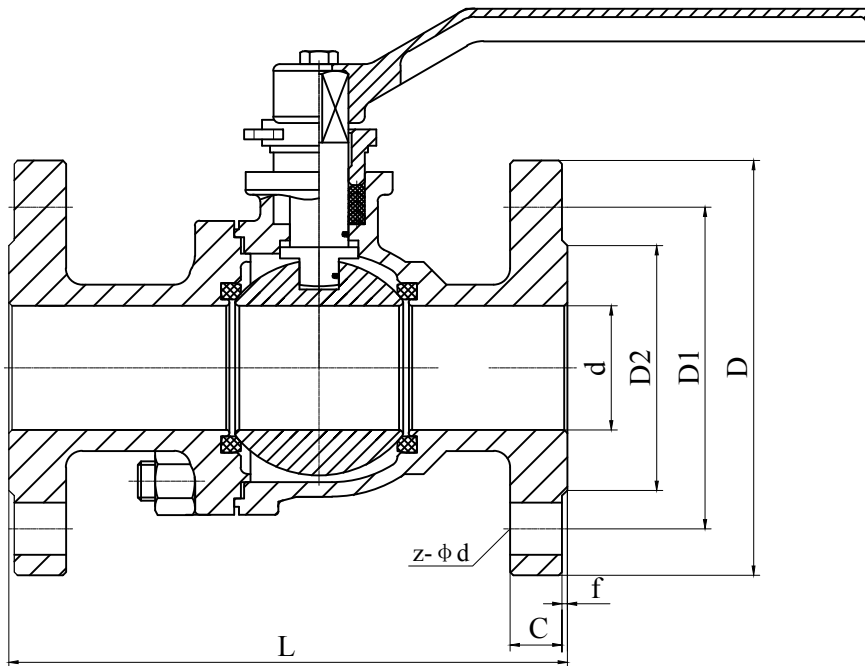
Main Performance:	
Nominal Pressure	300LB
Strength test pressure	7.7
Seal test pressure	5.6
Air seal pressure	0.6
Temperature	-29~120°C
Medium	Water.air.steam.gas

Technical Specifaion
1、 Design & manufacture according to API 608;
2、 Flange size dimension according to ASME B16.5;
3、 Structure length size dimension according to ASME B16.10;
4、 Fire safety according to API 607;
5、 Inspection & test according to API 598;

2PC Floating Ball Valve		J-VALVES	
		Construction	
Page 1		300LB RF	



Locking devices



NPS	L	d	D1	D2	D3	C	f	n-Ø
1/2"	165	15	95	66.7	34.9	14.3	2	4-16
3/4"	190	20	115	82.6	43	15.9	2	4-19
1"	216	25	125	88.9	50.8	17.5	2	4-19
1-1/4"	229	32	135	98.4	63.5	20.7	2	4-19
1-1/2"	241	38	155	114.3	73	22.3	2	4-22
2"	292	49	165	127	92.1	25.4	2	8-19
2-1/2"	330	65	190	149.2	104.8	28.6	2	8-22
3"	356	76	210	168.3	127	31.8	2	8-22
4"	432	100	275	215.9	157.2	38.1	2	8-26

Main Performance:	
Nominal Pressure	600LB
Strength test pressure	15.4
Seal test pressure	11.2
Air seal pressure	0.6
Temperature	-29~100°C
Medium	Water.air.steam.gas

Technical Specifaion
1. Design & manufacture according to API 608;
2. Flange size dimension according to ASME B16.5;
3. Structure length size dimension according to ASME B16.10;
4. Fire safety according to API 607;
5. Inspection & test according to API 598;

2PC Floating Ball Valve	J-VALVES
	Construction
Page 1	600LB RF