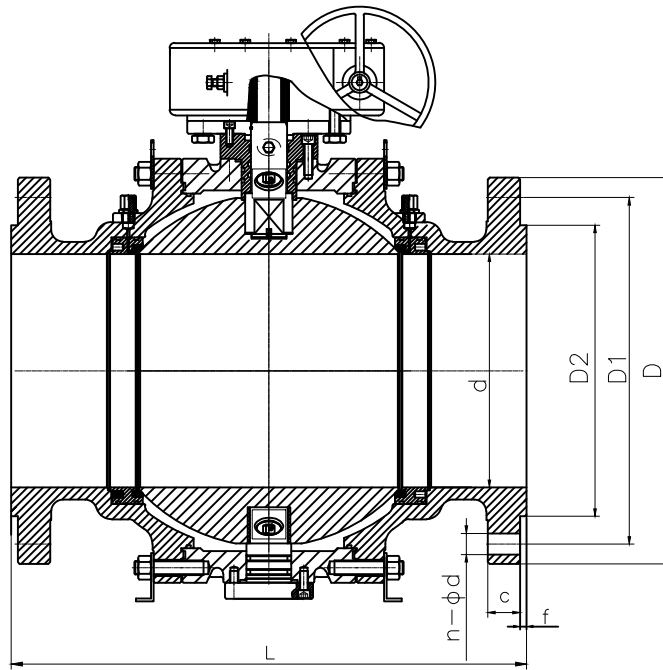


150LB RF



NPS	L	d	D1	D2	D3	C	f	n-Ø
16"	762	387.5	595	539.8	469.9	35	2	16-29
18"	864	436	635	577.9	533.4	38.1	2	16-32
20"	914	487	700	635	584.2	41.3	2	20-32
24"	1067	589	815	749.3	692.2	46.1	2	20-35

Main Performance:

Strength test pressure	3.0	MPa
Seal test pressure	2.2	
Air seal pressure	0.6	
Temperature	-29~120°C	
Medium	Water.air.steam.gas	

Technical Specifaion

1. Design & manufacture according to API 608;
2. Flange size dimension according to ASME B16.5;
3. Structure length size dimension according to ASME B16.10;
4. Fire safety according to API 607;
5. Inspection & test according to API 598;

3PC Trunnion
Ball Valve

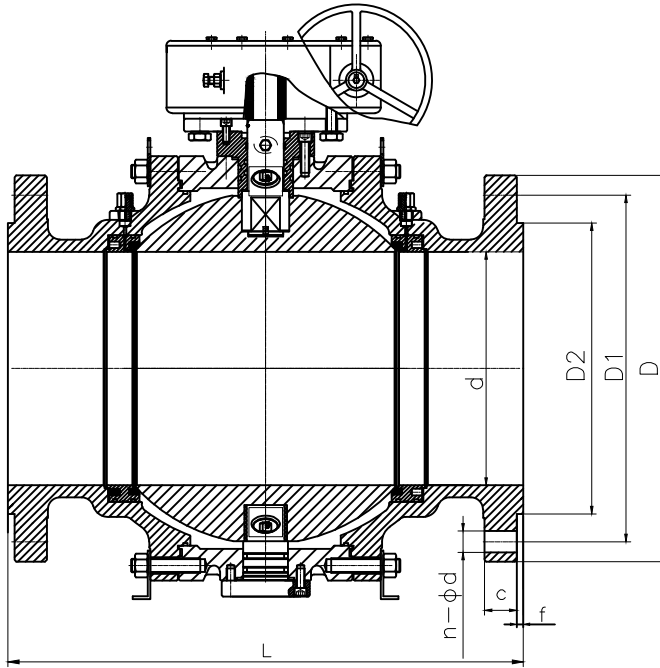
J-VALVES
Construction

150LB RF

Page

1

300LB RF

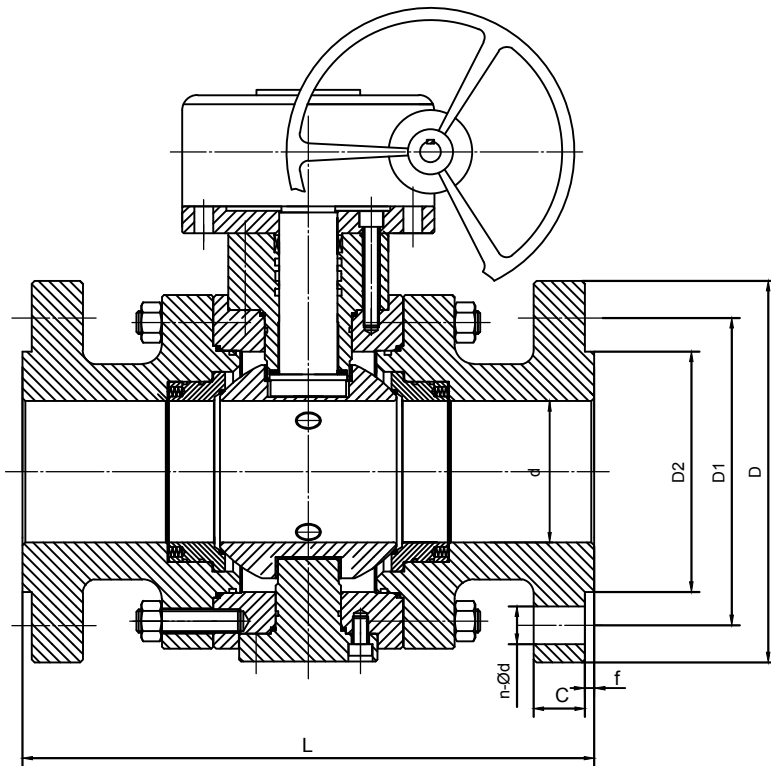


NPS	L	d	D1	D2	D3	C	f	n-Ø
16"	838	387.5	650	571.5	469.9	55.6	2	20-35
18"	914	436	710	628.6	533.4	58.8	2	24-35
20"	991	487	775	685.8	584.2	62	2	24-35
24"	1143	589	915	812.8	692.2	68.3	2	24-41

Main Performance:	
Strength test pressure	7.7
Seal test pressure	5.6
Air seal pressure	0.6
Temperature	-29~120°C
Medium	Water.air.steam.gas

Technical Specificaion	
1、 Design & manufacture according to API 608;	
2、 Flange size dimension according to ASME B16.5;	
3、 Structure length size dimension according to ASME B16.10;	
4、 Fire safety according to API 607;	
5、 Inspection & test according to API 598;	

		3PC Trunnion Ball Valve		J-VALVES	
				Construction	
				300LB RF	
		Page 1			



NPS	L	d	D1	D2	D3	C	f	n-Ø
2"	371	49	215	165.1	92.1	38.1	7	8-26
2-1/2"	422	62	245	190.5	104.8	41.3	7	8-29
3"	384	74	240	190.5	127	38.1	7	8-26
4"	460	100	290	235	157.2	44.5	7	8-32
5"	562	125	350	279.4	186	50.8	7	8-35
6"	613	150	380	317.5	215.9	55.6	7	12-32
8"	740	201	470	393.7	269.9	63.5	7	12-39
10"	841	252	545	469.9	323.8	69.9	7	16-39
12"	968	303	610	533.4	381	79.4	7	20-39
14"	1039	322	640	558.8	412.8	85.8	7	20-42
16"	1140	373	705	616	469.9	88.9	7	20-45
18"	1232	423	785	685.8	533.4	101.6	7	20-51
20"	1334	471	855	749.3	584.2	108	7	20-55
24"	1568	570	1040	901.7	692.2	139.7	7	20-67

Technical Specifaicaon

- 1、 Design & manufacture according to API 608;
- 2、 Flange size dimension according to ASME B16.5;
- 3、 Structure length size dimension according to ASME B16.10;
- 4、 Fire safety according to API 607;
- 5、 Inspection & test according to API 598;

Main Performance:

Nominal Pressure	900LB	
Strength test pressure	22.5	MPa
Seal test pressure	16.5	
Air seal pressure	0.6	
Temperature	-29~120°C	
Medium	Water.air.steam.gas	

TRUNNION
BALL VALVE

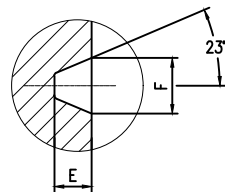
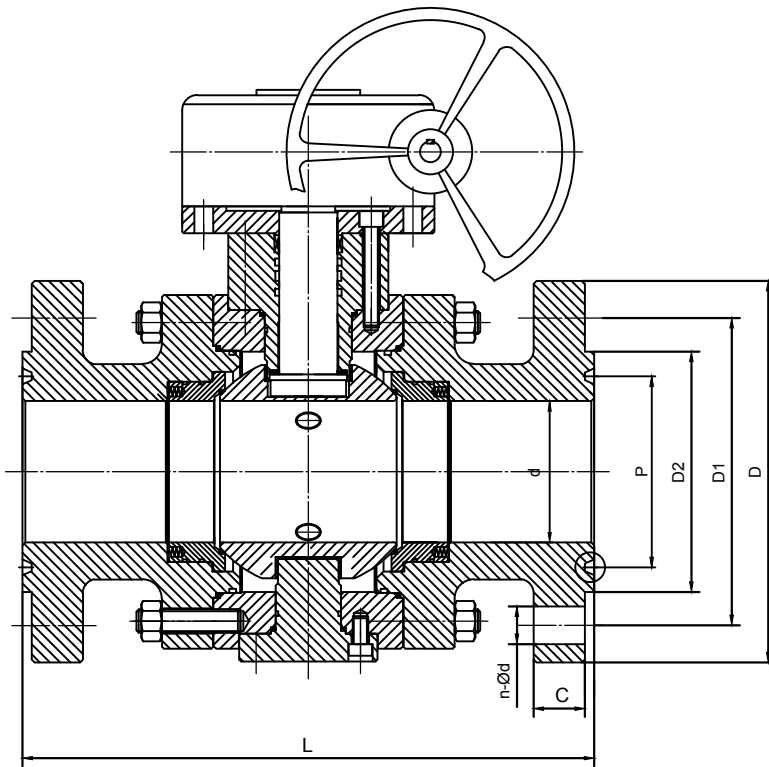
J-VALVES

Construction

900LB RF

Page

1



NPS	L	d	D1	D2	D3	P	E	F	C	n-Ø
2"	371	49	215	165.1	124	95.3	7.92	11.91	38.1	8-26
2-1/2"	422	62	245	190.5	137	108	7.92	11.91	41.3	8-29
3"	384	74	240	190.5	156	123.8	7.92	11.91	38.1	8-26
4"	460	100	290	235	181	149.2	7.92	11.91	44.5	8-32
5"	562	125	350	279.4	216	181	7.92	11.91	50.8	8-35
6"	613	150	380	317.5	241	211.1	7.92	11.91	55.6	12-32
8"	740	201	470	393.7	308	269.9	7.92	11.91	63.5	12-39
10"	841	252	545	469.9	362	323.9	7.92	11.91	69.9	16-39
12"	968	303	610	533.4	419	381	7.92	11.91	79.4	20-39
14"	1039	322	640	558.8	467	419.1	11.13	16.66	85.8	20-42
16"	1140	373	705	616	524	470	11.13	16.66	88.9	20-45
18"	1232	423	785	685.8	594	533.4	12.7	19.84	101.6	20-51
20"	1334	471	855	749.3	648	584.2	12.7	19.84	108	20-55
24"	1568	570	1040	901.7	772	692.2	15.88	26.97	139.7	20-67

Technical Specifaicon

- 1、 Design & manufacture according to API 608;
- 2、 Flange size dimension according to ASME B16.5;
- 3、 Structure length size dimension according to ASME B16.10;
- 4、 Fire safety according to API 607;
- 5、 Inspection & test according to API 598;

Main Performance:

Nominal Pressure	900LB	MPa
Strength test pressure	22.5	
Seal test pressure	16.5	
Air seal pressure	0.6	
Temperature	-29~120°C	
Medium	Water.air.steam.gas	

TRUNNION
BALL VALVE

J-VALVES

Construction

900LB RTJ

Page

1