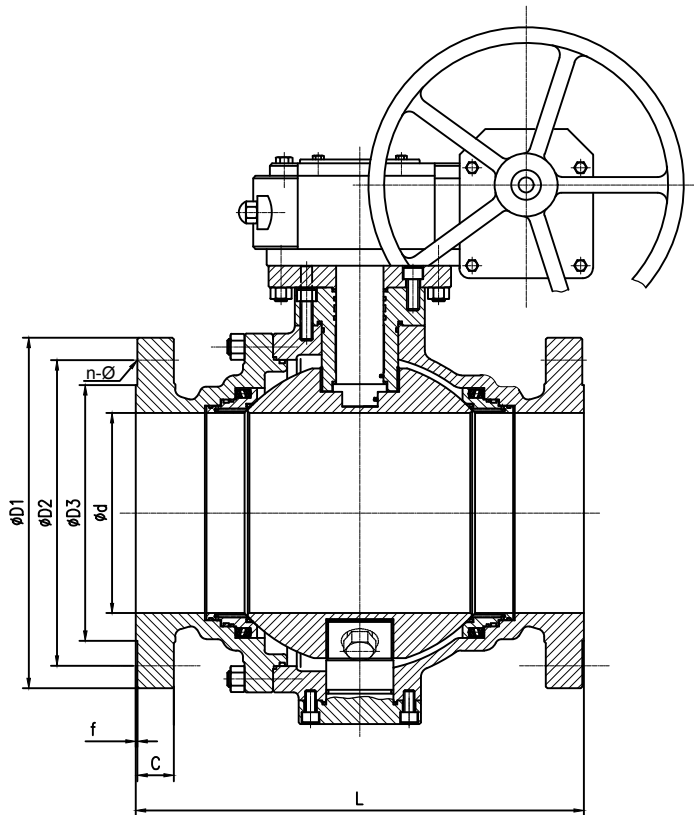


NPS	L	d	D1	D2	D3	C	f	n-Ø
2"	178	49	150	120.7	92.1	14.3	2	4-19
2-1/2"	190	65	180	139.7	104.8	15.9	2	4-19
3"	203	76	190	152.4	127	17.5	2	4-19
4"	229	100	230	190.5	157.2	22.3	2	8-19
5"	394	125	255	215.9	186	22.3	2	8-22
6"	394	150	280	241.3	215.9	23.9	2	8-22
8"	457	201	345	298.5	269.9	27	2	8-22
10"	533	252	405	362	323.8	28.6	2	12-26
12"	610	303	485	431.8	381	30.2	2	12-26
14"	686	334	535	476.3	412.8	33.4	2	12-29
16"	762	387.5	595	539.8	469.9	35	2	16-29

Main Performance:	
Nominal Pressure	150LB
Strength test pressure	3.0
Seal test pressure	2.2
Air seal pressure	0.6
Temperature	-29~120°C
Medium	Water.air.steam.gas

Technical Specifaion	
1、 Design & manufacture according to API 608;	
2、 Flange size dimension according to ASME B16.5;	
3、 Structure length size dimension according to ASME B16.10;	
4、 Fire safety according to API 607;	
5、 Inspection & test according to API 598;	

		2PC Trunnion Ball Valve		J-VALVES	
				Construction	
				150LB RF	
		Page 1			

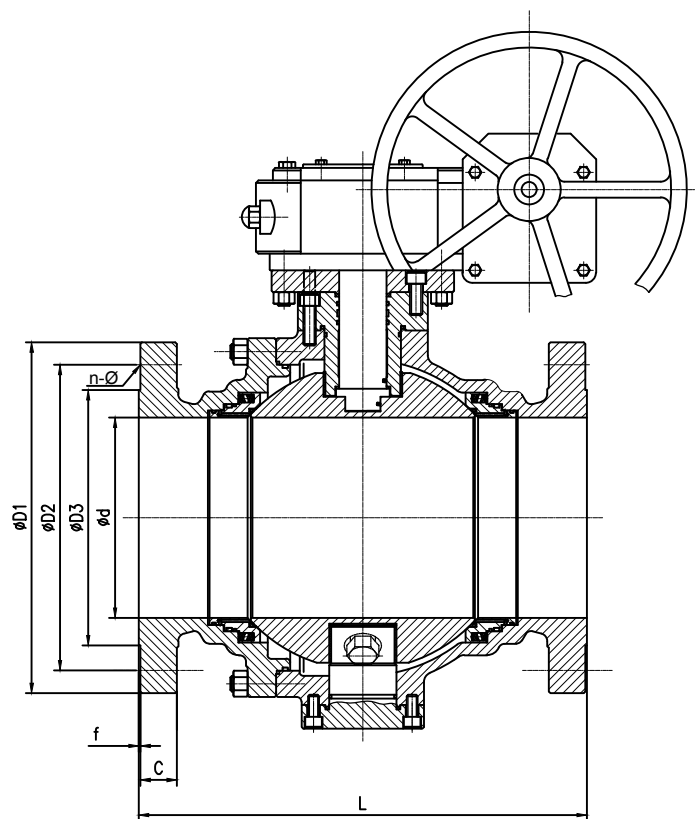


NPS	L	d	D1	D2	D3	C	f	n-Ø
2"	216	49	165	127	92.1	20.7	2	8-19
2-1/2"	241	65	190	149.2	104.8	23.9	2	8-22
3"	282	76	210	168.3	127	27	2	8-22
4"	305	100	255	200	157.2	30.2	2	8-22
5"	381	125	280	235	186	33.4	2	8-22
6"	403	150	320	269.9	215.9	35	2	12-22
8"	502	201	380	330.2	269.9	39.7	2	12-26
10"	568	252	445	387.4	323.8	46.1	2	16-29
12"	648	303	520	450.8	381	49.3	2	16-32
14"	762	334	585	514.4	412.8	52.4	2	20-32
16"	838	387.5	650	571.5	469.9	55.6	2	20-35

Main Performance:	
Nominal Pressure	300LB
Strength test pressure	7.7
Seal test pressure	5.6
Air seal pressure	0.6
Temperature	-29~120°C
Medium	Water.air.steam.gas

Technical Specifaion	
1、	Design & manufacture according to API 608;
2、	Flange size dimension according to ASME B16.5;
3、	Structure length size dimension according to ASME B16.10;
4、	Fire safety according to API 607;
5、	Inspection & test according to API 598;

		2PC Trunnion Ball Valve		J-VALVES	
				Construction	
				300LB RF	
		Page 1			



NPS	L	d	D1	D2	D3	C	f	n-Ø
2"	292	49	165	127	92.1	25.4	7	8-19
2-1/2"	330	63	190	149.2	104.8	28.6	7	8-22
3"	356	76	210	168.3	127	31.8	7	8-22
4"	432	100	275	215.9	157.2	38.1	7	8-26
5"	508	125	330	266.7	186	44.5	7	8-29
6"	559	150	355	292.1	215.9	47.7	7	12-29
8"	660	200	420	349.2	269.9	55.6	7	12-32
10"	787	248	510	431.8	323.8	63.5	7	16-35
12"	838	298.5	560	489	381	66.7	7	20-35
14"	889	327	605	527	412.8	69.9	7	20-38

Main Performance:	
Nominal Pressure	600LB
Strength test pressure	15.4
Seal test pressure	11.2
Air seal pressure	0.6
Temperature	-29~-120°C
Medium	Water.air.steam.gas

Technical Specificaion
1、 Design & manufacture according to API 608;
2、 Flange size dimension according to ASME B16.5;
3、 Structure length size dimension according to ASME B16.10;
4、 Fire safety according to API 607;
5、 Inspection & test according to API 598;

2PC Trunnion
Ball Valve

J-VALVES
Construction

600LB RF

Page

1